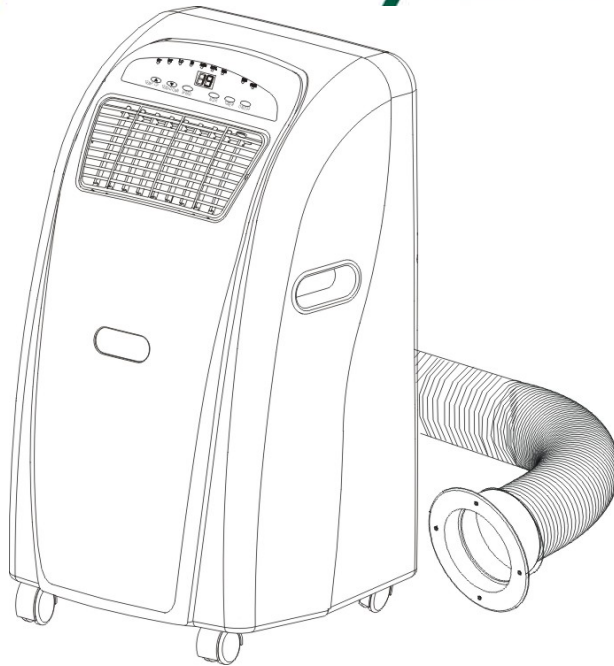




PORTABLE AIR CONDITIONER

INSTRUCTION MANUAL KwikCOOL 8



Please read and retain these instructions for future reference



PORTABLE AIR CONDITIONER

INDEX

• Index	2
• Specification	3
• Safety Information	4
• Parts	5
• Installation of the Exhaust Pipe	7
• Mounting of the Exhaust Pipe	9
• Installation of the Carbon Filter	10
• Operation	11
• Setting the Fan Speed	13
• Setting the Timer	13
• Regulating the Airflow	14
• Drainage	15
• Maintenance	17
• Fault Check List	18



PORTABLE AIR CONDITIONER

KwikCOOL 8 SPECIFICATION

Model		
Power Supply	(Ph, V~Hz)	1Ph, 220-240V, 50Hz
Cooling	Capacity (BTU/hr)	8,000
	Power Consumption (W)	830
	Operating Current (A)	3.7
	EER (BTU/w.h)	2.88
	Working Temperature (°C)	18 - 32
Heating	Capacity (BTU/hr)	8,000
	Power Consumption (W)	870
	Operating Current (A)	3.9
	COP (BTU/w.h)	2.88
	Working Temperature (°C)	5 - 27
Airflow Volume	M ³ /hr	350
Dehumidifying	L/hr	1.2
Refrigerant	g/R410a	530
Noise Level	db(A)	≤54
Dimensions WxHxD	(mm)	400x750x377
Net Weight	(kg)	30

Please note:

1. Information may vary for technical reasons
2. Measuring condition for above is based on regulation EN14511



PORTABLE AIR CONDITIONER

SAFETY INFORMATION

General Safety

- Only use in an upright position on a flat, level surface
- Always use the carry handles to move the product and **NOT** the electricity cable
- Do not place objects on the unit or restrict the air inlet/outlet
- Always supervise children and pets when the unit is in use

Electrical Safety

- For Indoor use only
- Always switch the unit off and unplug when not in use
- Do not use in overly humid or wet environment
- If the power lead is damaged, it must be replaced immediately by a qualified electrician

For Maximum Efficiency from the KwikCOOL 8

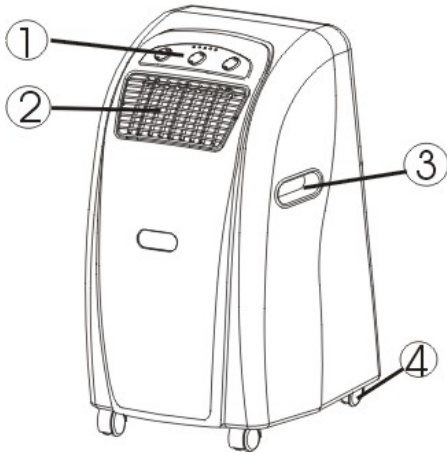
- Close all doors and windows in the room with the operating air conditioner unit
- Keep curtains and blinds closed if the room is in direct sunlight
- Keep filters clean
- Once the room has reached the desired conditions, change the temperature and ventilation settings as required
- Ensure the unit is at least 50cm from any object



PORTABLE AIR CONDITIONER

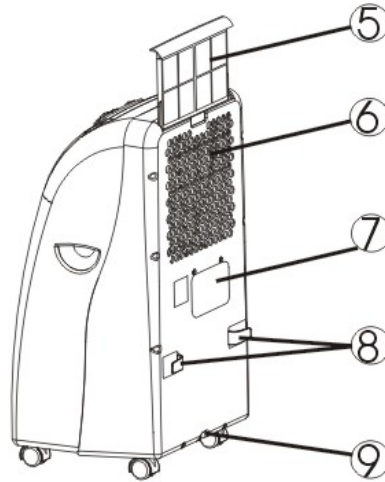
KwikCOOL 8 PARTS

Front



1. Control Panel
2. Air outlet
3. Carrying handle
4. Caster

Back



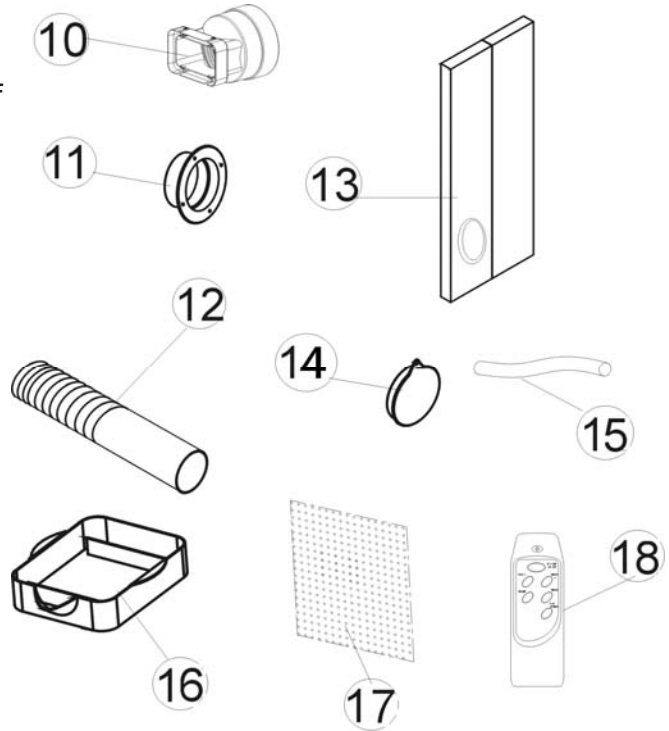
5. Air filter
6. Air inlet
7. Exhaust air outlet
8. Cord storage
9. Drainage point



PORTABLE AIR CONDITIONER

KwikCOOL 8 ACCESSORIES

- 10. Inward adaptor - inserts over hose and into back of the air conditioner
- 11. Outward adaptor - inserts over hose and into foam strip (supplied)
- 12. Extendable exhaust hose
- 13. Foam strip – allows the exhaust hose to be held in place in an open window
- 14. Round cap for filling the hole in wall/window, when the unit is not in use
- 15. Drain tube for continuous drainage
- 16. Water tray
- 17. Active carbon filter
- 18. Remote control





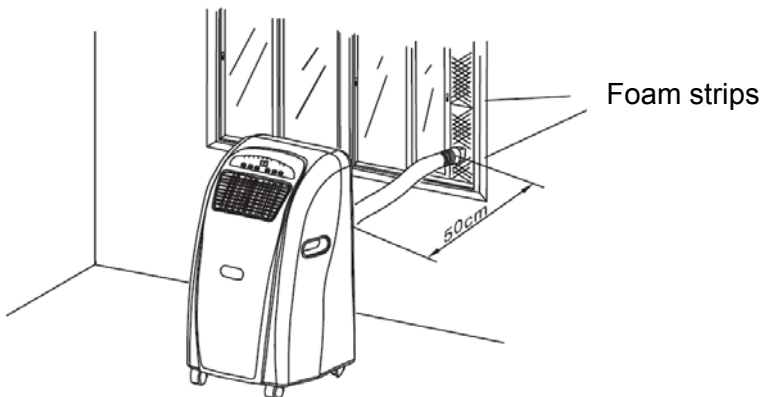
PORTABLE AIR CONDITIONER

KwikCOOL 8 INSTALLATION

Installation of the exhaust pipe

This unit is a portable air conditioner, which may be easily moved from room to room, using the following methods

1. Using the foam strips



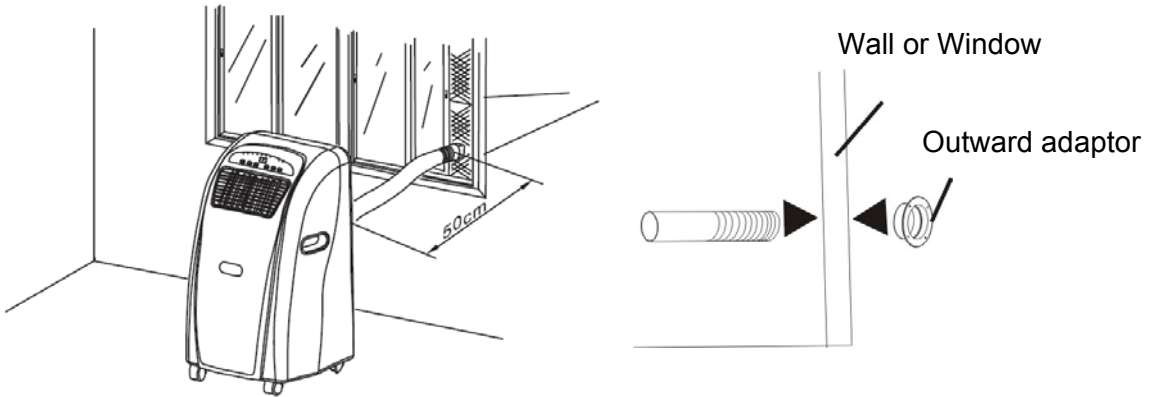
- Open a suitable window
- Place the unit at least 50cm away from the window
- Feed the exhaust hose through the foam strip and push through the window
- Gently close the window so the foam strip is held securely

WARNING – to help prevent crime, close and lock the window when the unit is not in use



PORTABLE AIR CONDITIONER

2. Using the adaptor



- Carefully cut a 130mm diameter hole in the wall or window
- Feed the exhaust hose through the window or wall and attach the threaded adaptor from the outside as shown
- When not in use, plug the hole with the cover provided

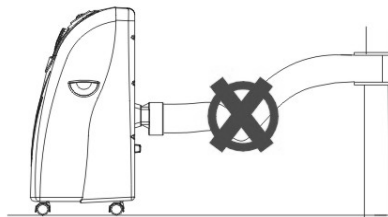
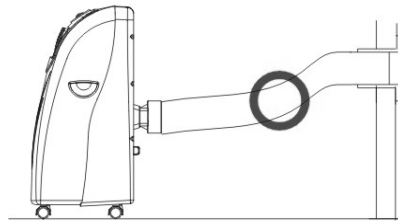
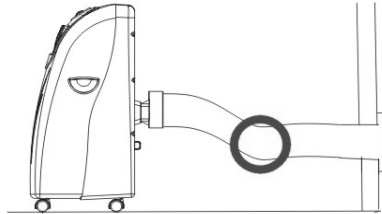


PORTABLE AIR CONDITIONER

KwikCOOL 8 INSTALLATION

Mounting of the exhaust pipe

- Using only the hose provided, clip the exhaust hose and unit adaptor to the back of the air conditioner
- Avoid kinks and bends in the exhaust hose as this will cause expelled moist air to build up causing the unit to overheat and shut down
- The hose may be extended from 300mm to 1500mm, however for maximum efficiency use the shortest length possible



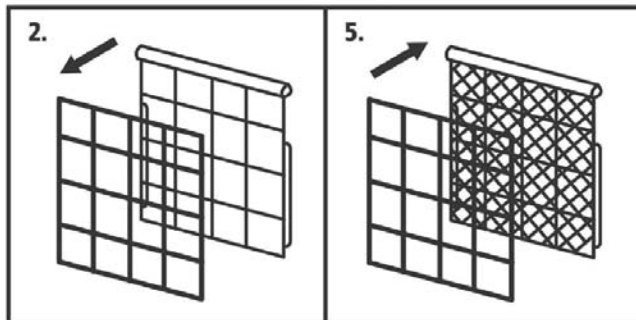
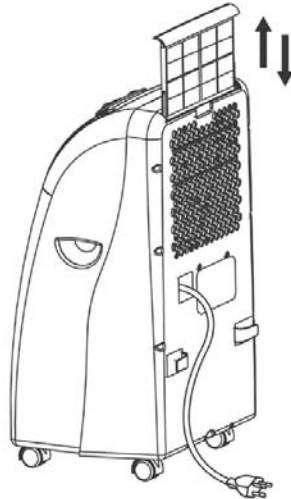


PORTABLE AIR CONDITIONER

KwikCOOL 8 INSTALLATION

Installation of the carbon filter

1. Slide up and remove the filter frame from the unit
2. Separate the filter guard from the filter frame
3. Remove the active carbon filter from its plastic bag
4. Insert the active carbon filter into the filter frame
5. Fix the filter by reassembling the filter guard onto the filter frame
6. Carefully slide the filter frame back inside the unit



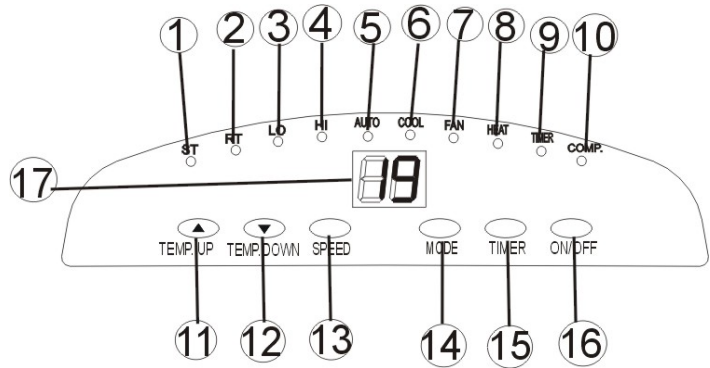


PORTABLE AIR CONDITIONER

KwikCOOL 8 OPERATION

Control panel

1. Set Temperature indicator
2. Room Temperature indicator
3. Low ventilation indicator
4. High ventilation indicator
5. Automatic function indicator
6. Cooling mode indicator
7. Fan function indicator
8. Heating function indicator
9. Timer operation indicator
10. Compressor operation indicator
11. Temperature Up button
12. Temperature Down button
13. Fan Speed button
14. Mode (function) button
15. Timer button
16. Power button
17. Display window





PORTABLE AIR CONDITIONER

Turning the unit ON/OFF

Press ON/OFF button, the unit will start automatically, press again and the unit will stop

If the ambient temperature is:-

- higher than 23°C, the unit will work in cooling function
- higher than 20°C but below or equal to 23°C, the unit will work in fan function
- below 20°C, the unit will work in heating function

Indicators for the function in use will light up and the ambient room temperature will appear in the display window

Please Note:

The COMPRESSOR indicator will only light up when the compressor is in operation

Setting the mode/function

Press MODE button to select required working function: automatic, cooling, fan or heating. The indicator light of the selected function will come on

Setting temperature

Press 'TEMP.UP' or 'TEMP.DOWN' button to regulate the desired temperature. The display window will show the temperature set. If a temperature is not set, the display will show the ambient temperature



PORTABLE AIR CONDITIONER

KwikCOOL 8 OPERATION

Setting fan speed

1. Press SPEED button to choose the required fan speed. The indicator hi or lo will light when a setting is chosen
2. If the unit is in AUTO function it will choose the fan speed automatically, according to the ambient temperature (the speed switch is invalid when the unit is in AUTO function)

Setting timer

1. The TIMER button allows operating hours to be set as desired
2. When the unit has been running for the set time, the machine will turn off automatically
3. Once set, the timer indicator will light up and the display window will show the hour(s) it is set for
4. Pressing the TIMER button, without turning on other functions, allows the time for the unit to function to be PRE-SET. For example, if the timer is set to '2', the unit will function automatically after 2 hours.
5. If the timer button is not pressed, the unit will work continuously

All the above functions can also be performed with the remote control (supplied)
This remote control requires 2 x AAA batteries

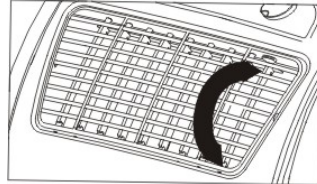


PORTABLE AIR CONDITIONER

Regulating airflow direction



Turn the roller on the air vent to control the airflow direction of the vertical louvers



Move the air vent directly to adjust the airflow direction of the horizontal louvers

Please Note

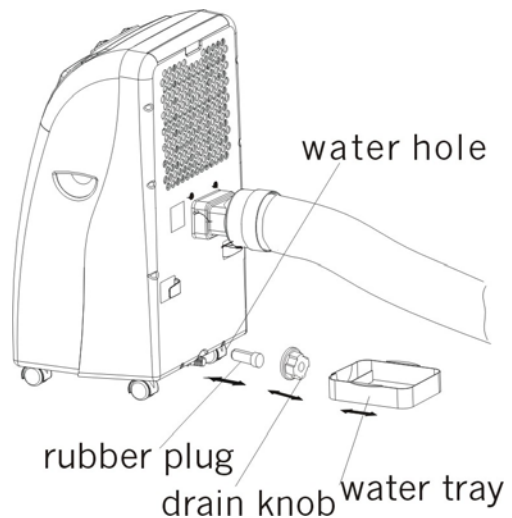
1. To prolong the compressor's life, after turning the unit off, please wait for at least 3 minutes before turning on again
2. The cooling system will switch off if the ambient temperature is lower than the one set one. However, if the ambient temperature rises above the selected level, the cooling system will restart
3. The heating system will switch off if the ambient temperature is higher than the one set. As the ambient temperature drops below the selected level, the heating system will restart
4. The fan will continue to work on the set level regardless of the ambient temperature
5. This machine is equipped with an ANTI-FROST function. While using the heating function during low temperatures, the heating function will occasionally stop for a short period of time, in order to melt the frost

DRAINAGE

During the process of cooling, some water will be extracted from the air into the unit. If the reservoir is full, both the compressor and the motor will stop. When this occurs, the 'comp' indicator will flash

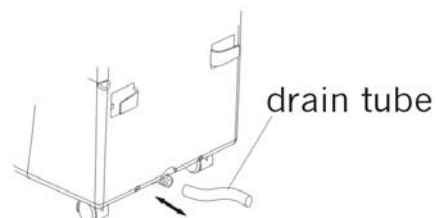
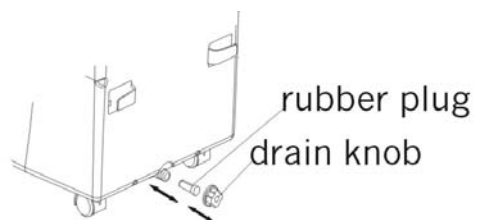
For the unit to function again, the water must be drained in one of the following ways:

1. Turn off the air conditioner
2. Position the water tray underneath the drain hole
3. Remove the drain knob & rubber plug from the drain hole and allow the water to drain out
4. Replace the rubber plug in the drain hole whilst emptying the water tray
5. Repeat stages 3 and 4 until the unit is emptied
6. Replace the rubber plug and tighten the drain knob firmly
7. Switch on the unit – (the 'comp' light should not be flashing)



If you wish to operate the unit without the need to empty the water tank, please:

- Remove the drain knob and rubber plug and retain for future use
- Connect the drain tube supplied to the water outlet as shown and place the other end into a drain
- The drain tube may be extended by adding an extension tube and using a suitable connector (not supplied)



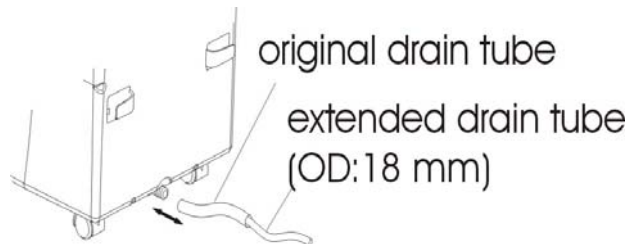


PORTABLE AIR CONDITIONER

DRAINAGE

Please note

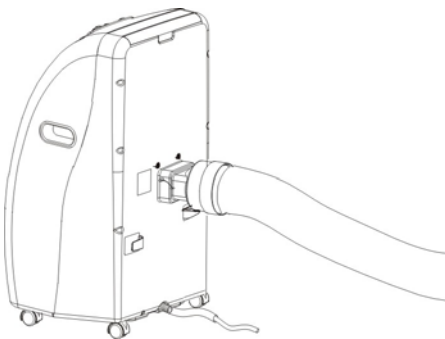
1. The drain must be at or below the outlet level
2. Flashing 'comp' indicator will not function with this method of drainage
3. If you want to extend the water tube, you can connect it with another tube (OD: 18mm)



WARNING

Whilst using the heating function, please note:

1. Ensure the exhaust pipe is correctly fitted, in order to filter the cool air outside
2. Connect the drainage tube supplied to the water outlet





PORTABLE AIR CONDITIONER

KwikCOOL 8 MAINTENANCE

WARNING – Always unplug the air conditioner from the mains before cleaning

To maximize the efficiency of the air conditioner, clean regularly

Cleaning the housing

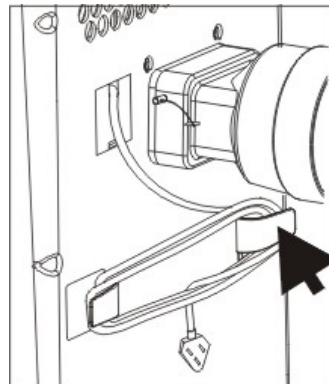
Use a soft, damp cloth to wipe the body clean. Never use aggressive chemicals, gasoline, detergents, chemically treated cloths or other cleansing solutions as these could damage the unit

Cleaning the filter

WARNING – Never operate the unit without the filters in the correct position
Use a vacuum cleaner or tap the filter lightly to remove loose dust and dirt, then rinse thoroughly under running water (no hotter than 40°C). Dry thoroughly before replacing

End of season storage

- Drain away any water in the unit, then operate the unit on fan function for a few hours, to thoroughly dry the inside
- Clean or change the filter
- Unplug and store the power cord in the correct position as shown
- Replace in the original carton or cover for storage





PORTABLE AIR CONDITIONER

KwikCOOL 8 FAULT CHECK LIST

- The air conditioner will not run:
- Is the air conditioner plugged in?
 - Is there a power failure?
 - Is the 'comp' indicator flashing?
 - Is the ambient temperature below the set temperature?
- The machine seems to do little:
- Is there direct sunshine? (Please close curtains)
 - Are too many windows or doors open?
 - Are there too many people in the room?
 - Is there something in the room producing a lot of heat?
- The machine seems to do nothing:
- Is the filter dusty/contaminated?
 - Is the air intake or output blocked up?
 - Is the ambient temperature below your selected temperature?
- The machine is too noisy:
- Is the floor underneath the machine uneven?
- The compressor does not run:
- It is possible the overheat protection of the compressor is on. (Wait for the temperature to drop)

WARNING – Never try to repair or dismantle the unit yourself



PORTABLE AIR CONDITIONER

2.34 kw (8,000 Btu) Mobile Air Conditioner with Heating

KwikCOOL 8



Kwik to install, plug in, switch on and COOL



- * Electronic touch control and remote control
- * Castors provide greater mobility
- * Carbon Filter
- * Supplied with 1.5 metres of flexible ducting
- * 12 hour timer and thermostat
- * Water tray for easy drainage

Technical

- * Ozone Friendly R410 refrigerant
- * Net weight: 29 kg
- * Recommended room size: 30m³
- * Dimensions: 40 x 37 x 75 cm
- * Energy Efficiency Rating: A
- * Noise Level 54 dbA

For hire or sale for complete year round temperature control, this stylish unit has heating, cooling and dehumidifying functions, creating the perfect residential and commercial environment.



FREE PHONE 0500 526696

web: www.kwikcool.co.uk

